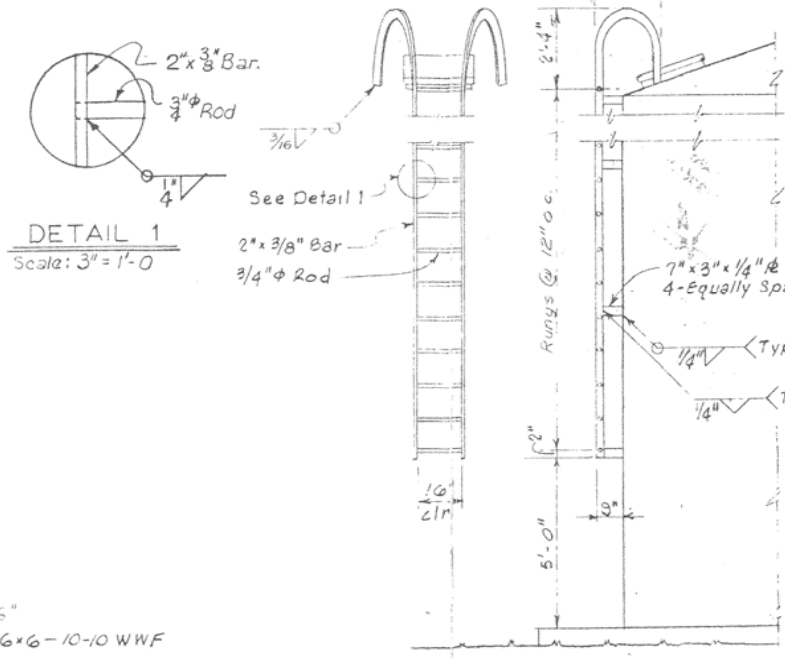
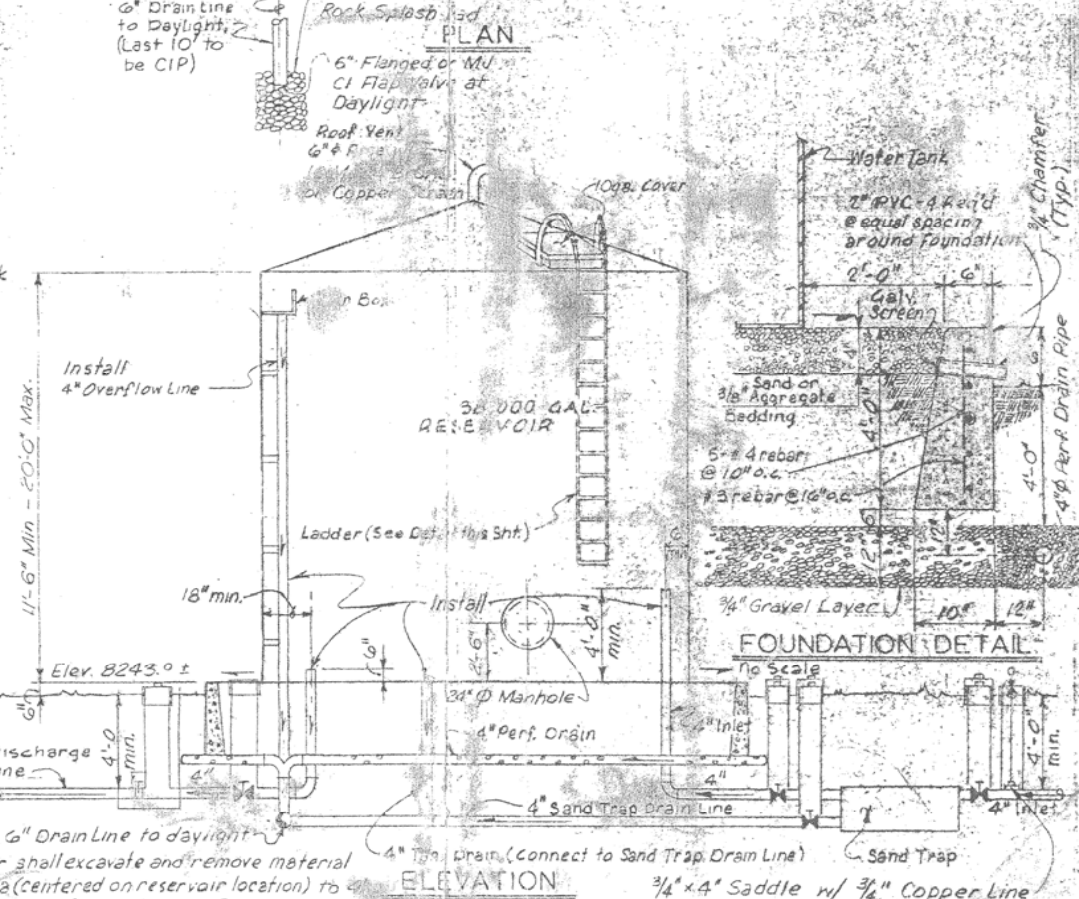
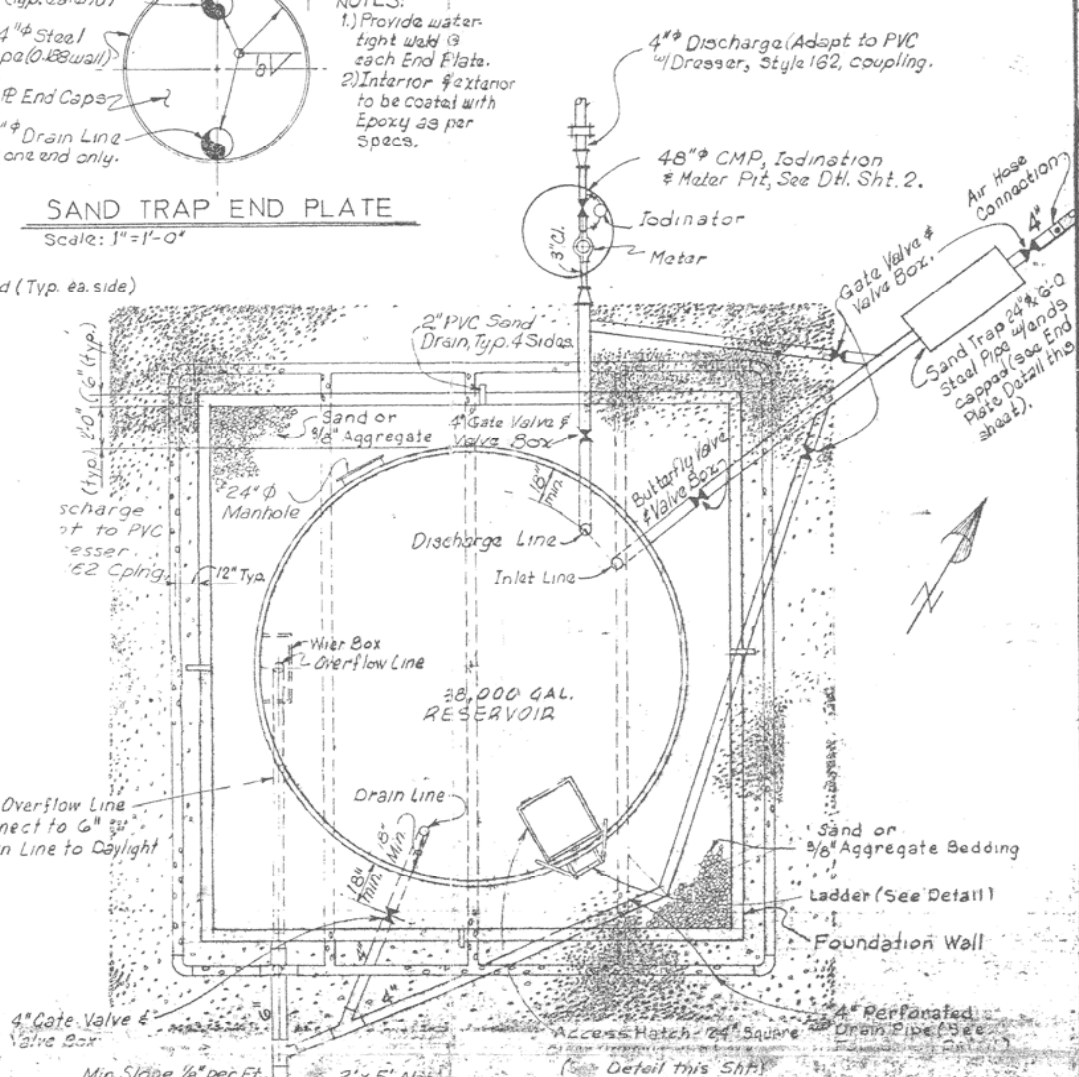


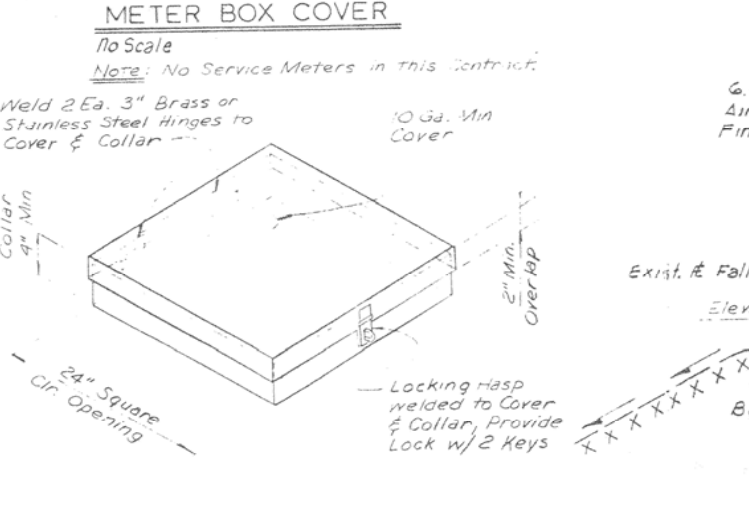
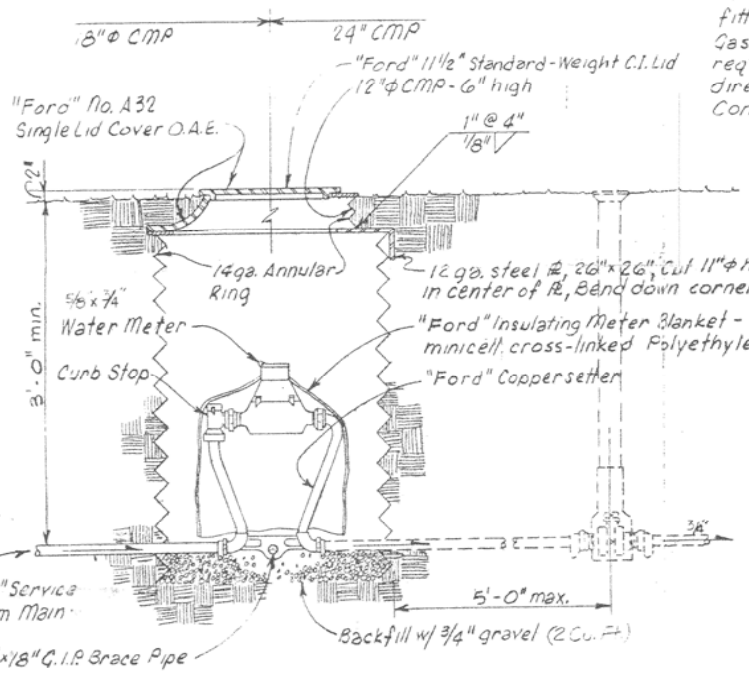
**SECTION A**  
 NOT IN THIS CONTRACT  
**CHLORINE ENCLOSURE DETAILS**  
 Scale: 1/2" = 1'-0"



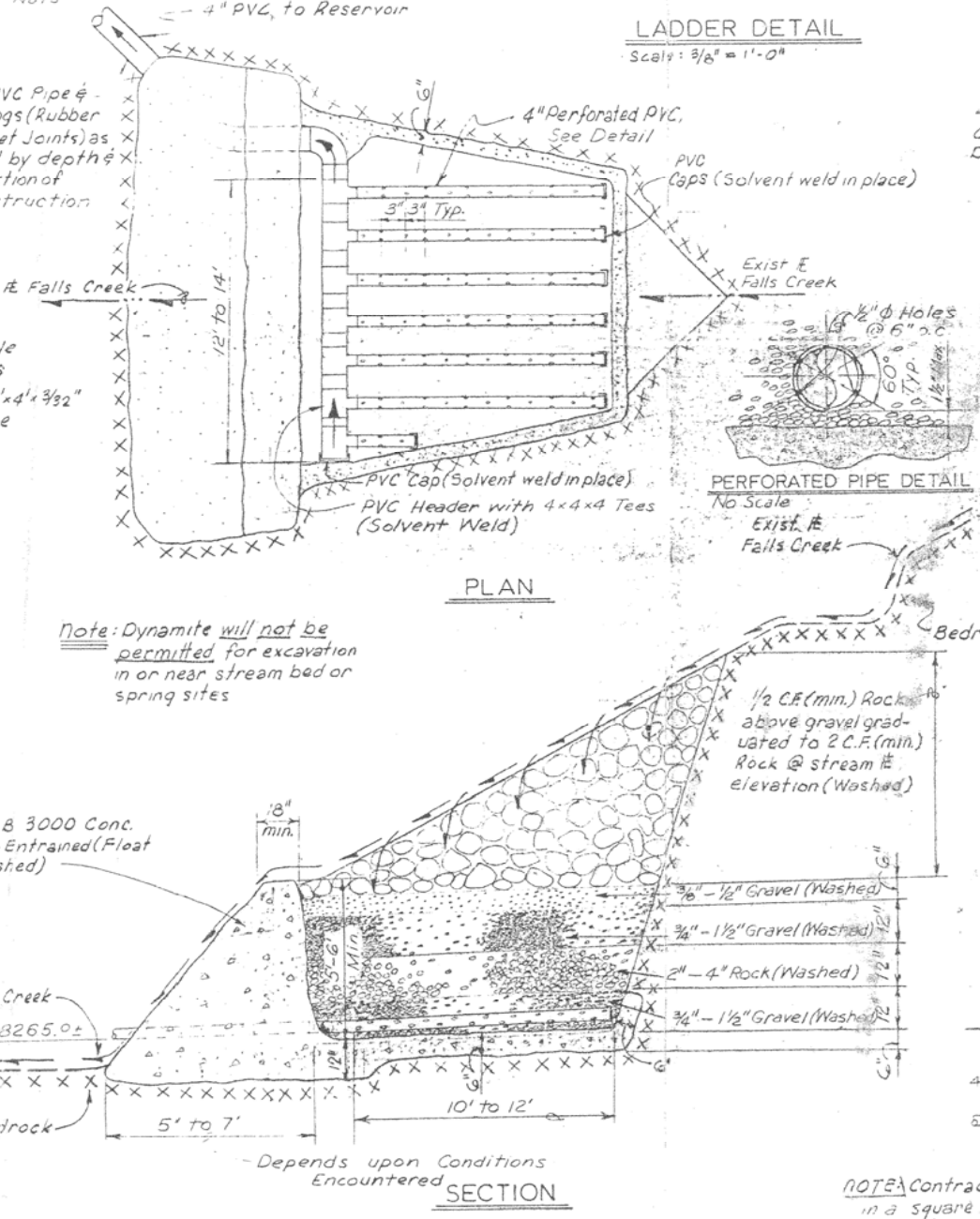
**LADDER DETAIL**  
 Scale: 3/8" = 1'-0"



**WATER TANK**  
 Scale: 1/4" = 1'-0"  
**RECORD DRAWING**  
 FROM CONTRACTORS RECORDS  
 8-1-91



**ACCESS HATCH DETAIL**  
 No Scale



**STREAM COLLECTION GALLERY**  
 No Scale

**GORDAN & ASSOCIATES**  
 CONSULTING ENGINEERS  
 SANTA FE, NEW MEXICO

**BRAZOS WATER COOP ASSOC. INC.**

DATE: 5-7-76

JOB NO. 75-060  
 DRAWN BY [Signature]  
 CHECKED BY [Signature]  
 REV. DATE [Signature]

WATER TANK DETAILS  
 STREAM COLLECTION GALLERY  
 METER DETAILS  
 CHLORINE ENCLOSURE

sheet 6 of 8